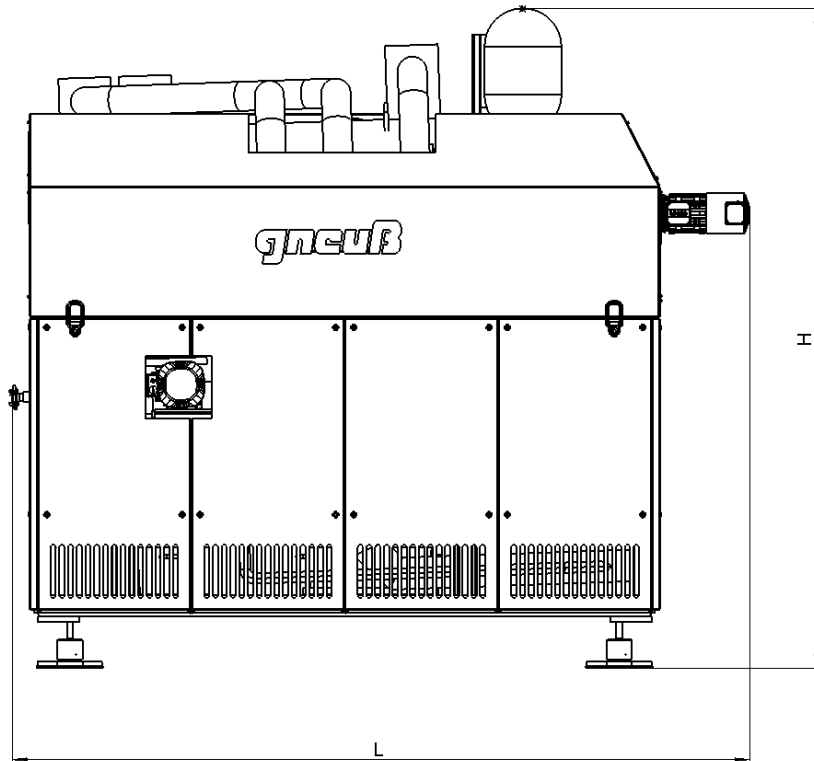


JUMP Polyreactor

Technical Data



Subject to modifications.

	V 600	V 1000	V 2000
Length L inch	110	110	190
Width B inch	30	35	50
Height H inch	40	40	45
Throughput rate in lbs/h	220 - 2,200	350 - 3,500	750 - 7,000
IV Boost dl/g	0.05 - 0.30	0.05 - 0.3	0.05 - 0.3
Heater rating kW	45	65	100
Pump drive kW	4	5.5	11
Agitator drive kW	2.2	4.0	5.5
Vacuum mbar	0.5 - 25	0.5 - 25	0.5 - 25

* As each line is engineered to a specific project, the technical data may deviate from the values listed in this table. Detailed information on the relevant technical data is provided to you with your quotation.